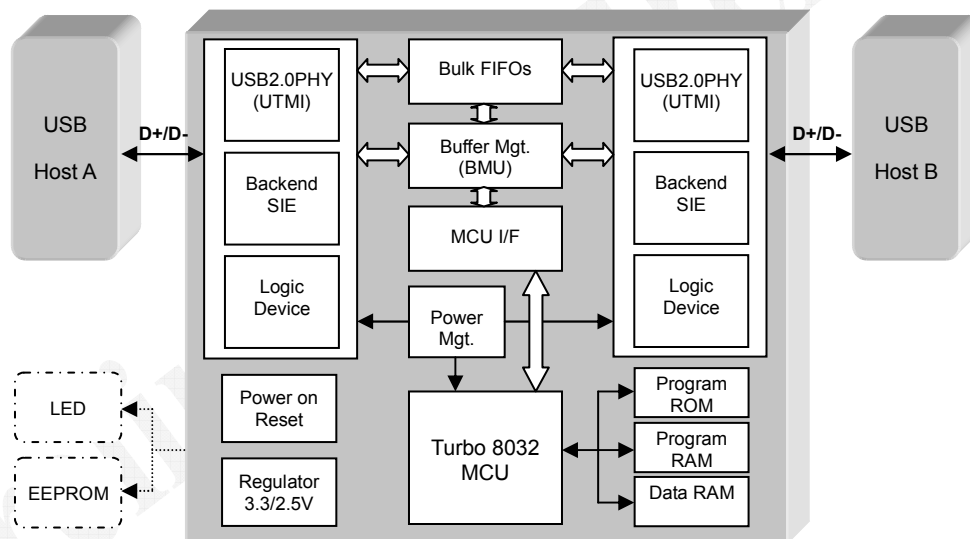


PL-25A1 Hi-Speed USB Host to Host Bridge Controller

OVERVIEW

The PL-25A1 is a single chip Hi-Speed USB Host-to-Host bridge controller specially designed for Windows USB Easy Transfer cable and Microsoft Windows Easy Transfer program. The Windows Easy Transfer program is built inside Windows Vista OS and also available for Windows XP Update. Using the Windows Easy Transfer program, the PL-25A1 embedded USB Easy Transfer cable allows end-users to easily connect (thru the USB port) an old computer running Microsoft Windows XP or Vista to another computer running Windows Vista. Once the program has established connection for both computers, the end-user can then transfer large data files and program settings from the old computer to the new computer. It's one of the fastest and easiest ways to transfer your files and settings to your new computer. The PL-25A1 embedded cable is fully supported by Microsoft for Windows XP and Windows Vista OS.

BLOCK DIAGRAM



FEATURES

- Full compliance with the USB Specification v2.0
- Built-in driver (USB Easy Transfer Cable) and program (Windows Easy Transfer) support by Microsoft Windows Vista and Windows XP (Update or driver CD) Operating System
- Transfer data and share resources between two or more PCs with speed up to 480Mbps.
- USB-IF Hi-Speed Logo Compliant with TID 40000183
- On-Chip 3.3V-2.5V regulator for internal circuit
- Dual data buffer supporting two-way data transfer
- Supports external serial EEPROM to customize vender/product related information
- Supports LED indicator for connection and transfer status
- Bus powered from either USB port
- No glue logic needed – can be embedded in small spaces
- LQFP64 packaging available

Prolific Technology Inc.

7F, #48, Sec.3, Nan-Kang Rd., Taipei, Taiwan 115, ROC
Tel: 886-2-2654-6363 Fax: 886-2-2654-6161
E-mail : sales@prolific.com.tw
<http://www.prolific.com.tw>

