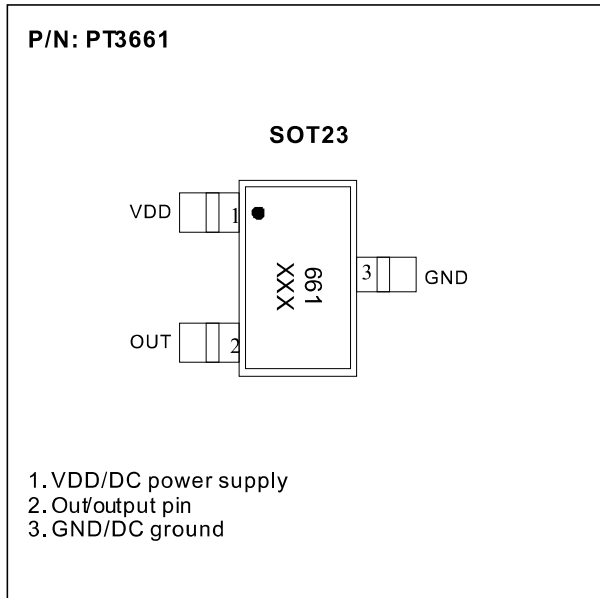


# PT3661

## High Sensitivity Micro Power Switch



### Package: SOT-23



The PT3661 is designed for battery-operated, hand-held equipment such as cellular and cordless phone, PDA and notebook application. The built-in dynamic offset cancellation of pre-amplifier stage achieves optimal symmetrical magnetic sensing. The supply voltage range is from 2.4V to 5V and the max output current is 5mA.

### Specifications

#### Absolute Maximum Ratings (Ta=25°C)

Parameter	Symbol	Conditions	Rating	Units
Maximum supply voltage	$V_{DDmax}$		7	V
Allowable power dissipation	$P_d$	SOT23	300*	mW
Operating temperature	$T_a$		-40~+85	°C
Storage temperature	$T_s$		-55~+150	°C
Max. output current	$I_{OMAX}$		5	mA

\*: On 50mm x 50mm x 1.6mm glass epoxy board

### Key Features

- 2.4V~5V operation
- High sensitivity : 35G
- Micro Power : 5~7  $\mu$ W
- Built-in dynamic offset cancellation
- High balance and low thermal drift magnetic sensing
- ESD protection to 5KV
- Open drain output

### Applications

- Cover Detection
- On/Off Detection
- Consumer Products
- Fluid level detection
- Proximity Sensor